



# Shield **PRO** Model XEK-1700

## Outdoor Enclosure Kit for Bond Bridge Pro



- ✓ Designed for the Bond Bridge Pro (BD-1750)
- ✓ Ships as a kit for on site installation with knockout holes and weather proof glands
- ✓ 100% plastic: ideal for Bond Bridge Pro
- ✓ Ships with mounting brackets
- ✓ Not to be used under direct sun
- ✓ IP67 rated when installed properly
- ✓ Does not require CAT 5 crimping
- ✓ Total Dimensions: 8.5 x 7.2 x 2.6 inches approx.

Shield Pro is a weatherproofing kit designed for the Bond Bridge Pro. It allows outdoor installation of the Bond Bridge Pro on outside settings, putting it closer to devices like outdoor screens, pergolas, and louvers.

The kit includes split glands, allowing on-site installation without cutting power cords or crimping CAT 5 cables. You can use a single gland when only PoE is required or two glands if both the Ethernet and 5V power ports are in use.

It also features a pressure-compensating seal with an integral sealing ring for a liquid-tight fit, along with an ultrasonically welded filter membrane to prevent moisture and contamination.

Shield Pro is IP67 & IP68 rated and UL-recognized for NEMA 3R, 4, and 4X applications.

### Total Dimensions

8.5 x 7.2 x 2.6 inches *approx.*

### Materials

Plastic and Nylon

### Weight

1 lbs

### Certifications

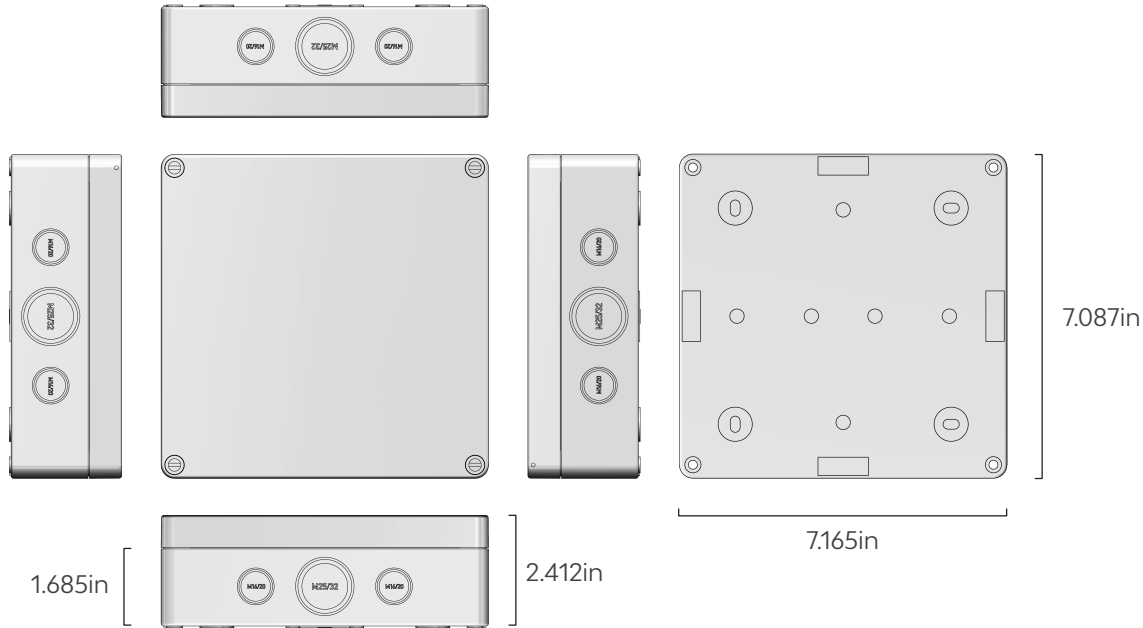
IP67, IP68, NEMA 3R, 4, and 4X

### Operation Temperature Range

-40° F to 221° F

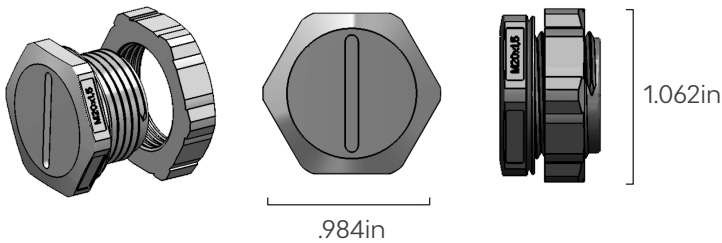


## Enclosure Box



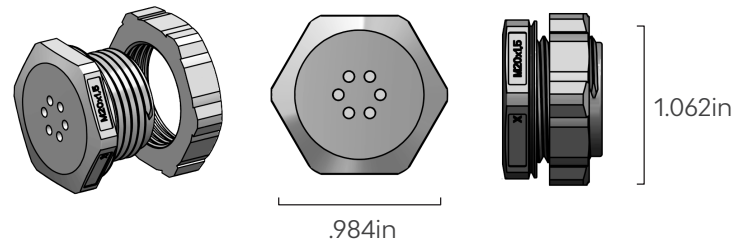
Temperature Range: -40° F to 221° F  
Number of units in the packaging: 1

## Hole Seal



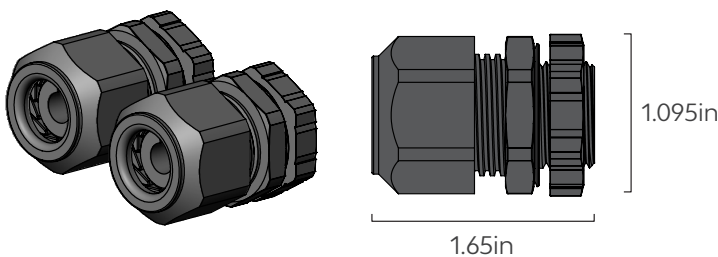
Clearance Mtg. Hole:  $\varnothing$  .787 minimum  
Temperature Range: -40° F to 221° F  
Number of units in the kit: 1

## Pressure Compensating Seal



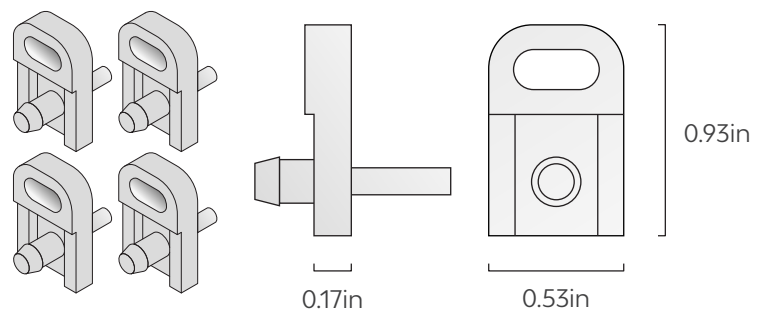
Torque: 45 in-Lbs (approx.)  
Clearance Mtg. Hole:  $\varnothing$  .787 minimum  
Temperature Range: -40° F to 221° F  
Number of units in the kit: 1

## Split Glands



Clearance Mtg. Hole:  $\varnothing$  .787 minimum  
Temperature Range: -40° F to 221° F  
Number of units in the kit: 2

## Mounting Hardware



Number of units in the kit: 4